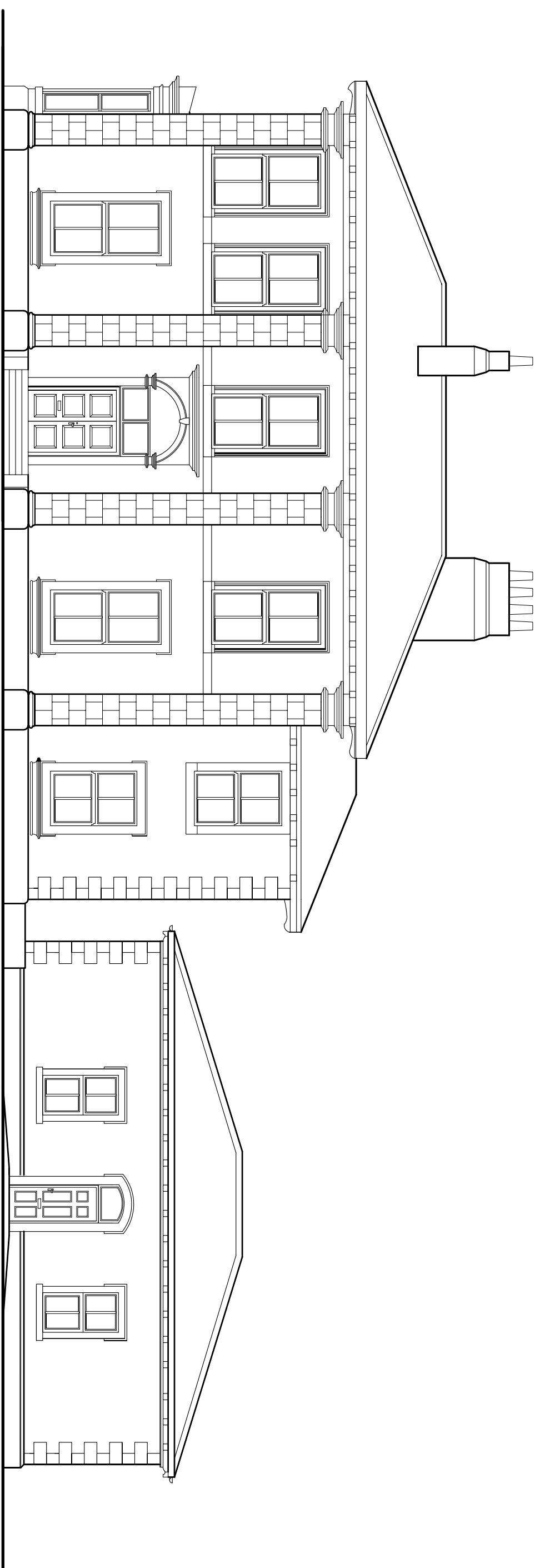
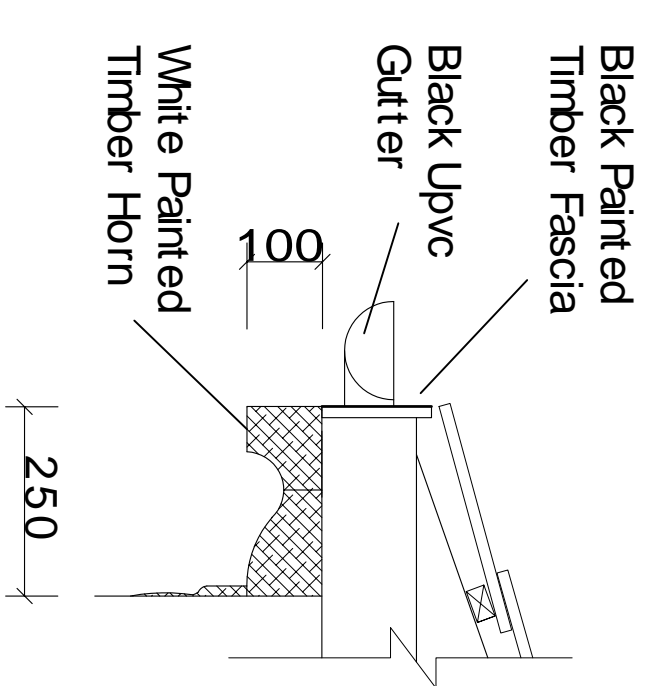


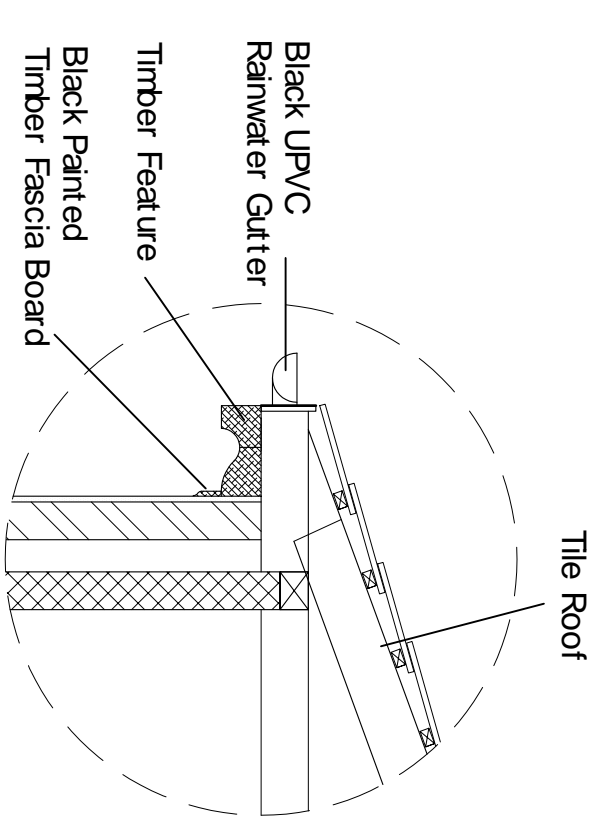
DO NOT SCALE DIMENSIONS FROM DRAWING



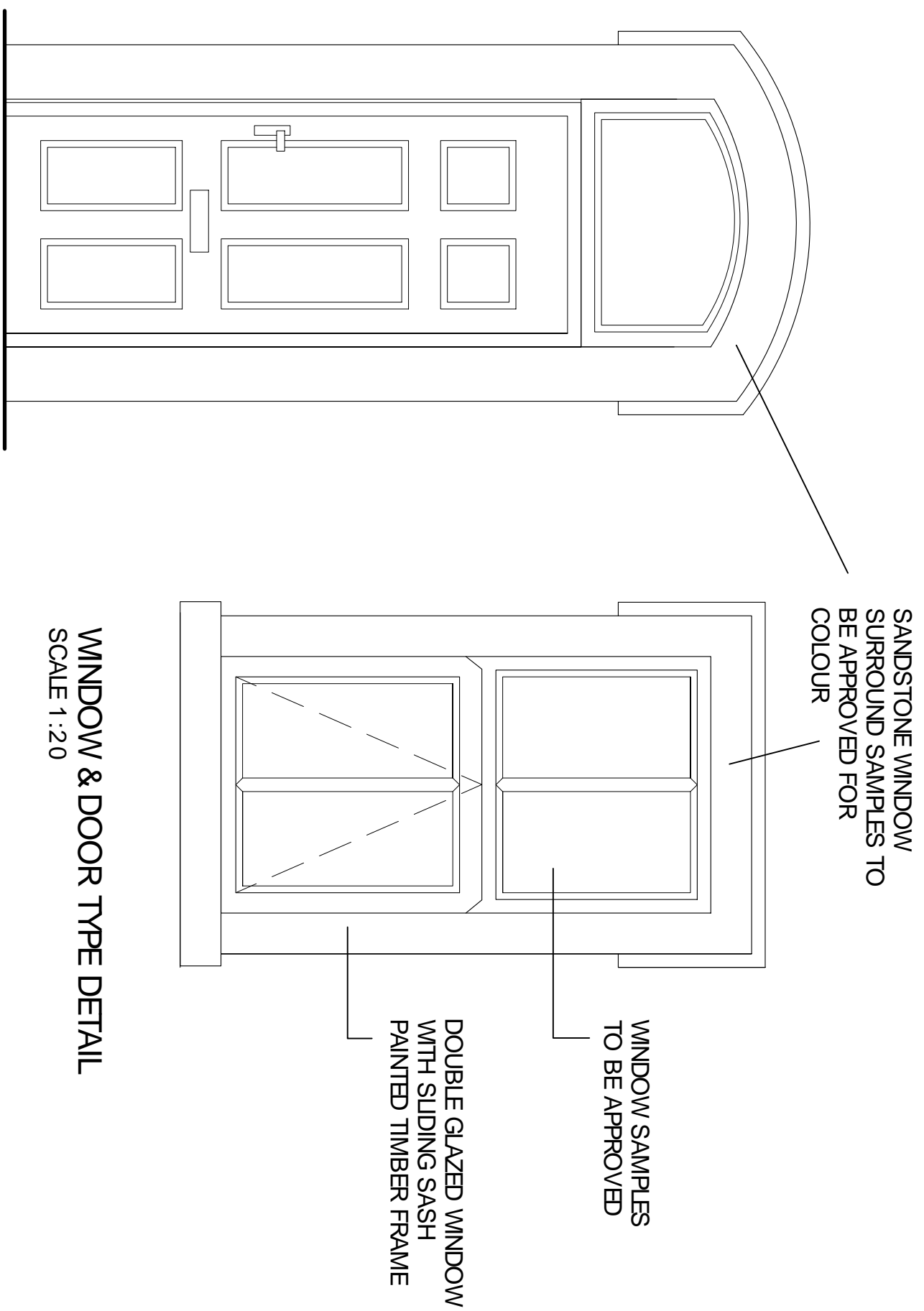
Site Section Scale 1:50



HORN EAVES DETAIL
SCALE 1:10






EAVES DETAIL
SCALE 1:20



WINDOW & DOOR TYPE DETAIL
SCALE 1:20

NOTE:
Drawing For Planning Use Only Not For Construction.
Any Changes To Approved Drawing To Be Submitted &
Approved By Planning Before Works Commence. All Works
To Be Approved By Building Control.

Key	
	Denotes... New walls block/timber stud
	Hidden line / Demolished wall
	Beam over

Project Address Cherry Tree House Preston Old Road Blackburn	
Description Of Works Single Story Annex To Rear	
Drawing Title Site Section & Window Detail	Drawing Number P103 Rev A
Scale 1:20/100@ A2	Date 19/11/17

This document was created with Win2PDF available at <http://www.win2pdf.com>.
The unregistered version of Win2PDF is for evaluation or non-commercial use only.